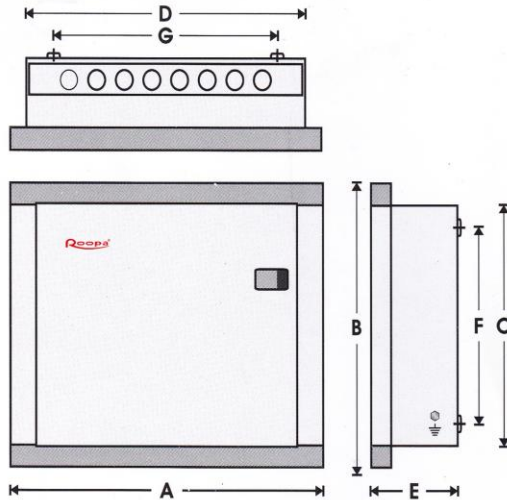
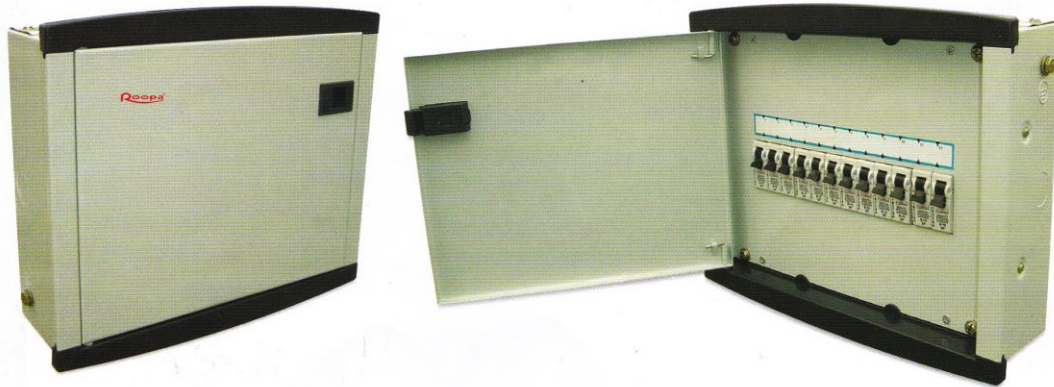


# M.C.B. D.B. DOUBLE DOOR S.P.N.

**PREMIUM**

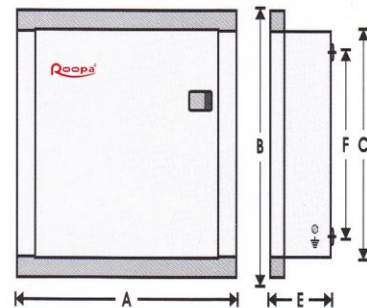
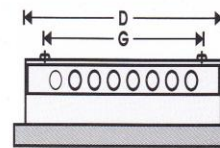
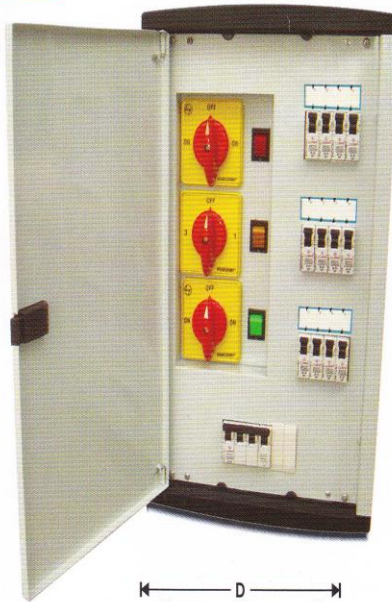
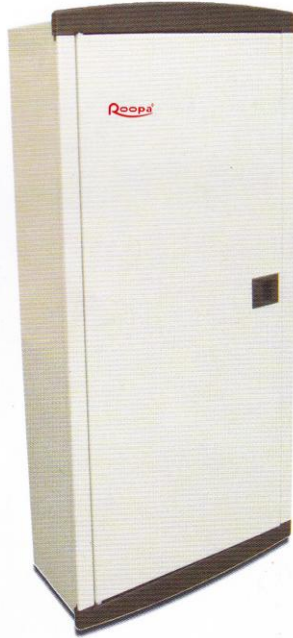


S. No.	ITEMS	Code No.	PRICE Per Pc.	Std. Pack of Pcs.	MAXIMUM SIZES IN M.M.						
					A	B	C	D	E	F	G
1	4 WAY S.P.N.	1038	660/-	8	190	273	245	181	94	179	120
2	6 WAY S.P.N.	1039	730/-	8	190	273	245	181	94	179	120
3	8 WAY S.P.N.	1040	940/-	8	268	283	245	252	94	179	195
4	10 WAY S.P.N.	1041	1030/-	8	263	273	245	252	94	179	195
5	12 WAY S.P.N.	1042	1270/-	6	335	273	245	326	94	179	260
6	16 WAY S.P.N.	1043	1510/-	4	415	273	245	395	94	179	326

**NOTE: ALL PRICES ARE WITHOUT M.C.B., PHASE SELECTORS AND INDICATOR LAMPS.**

# PHASE SELECTOR D.B. DOUBLE DOOR T.P.N.

**PREMIUM**



## MAXIMUM SIZES IN M.M.

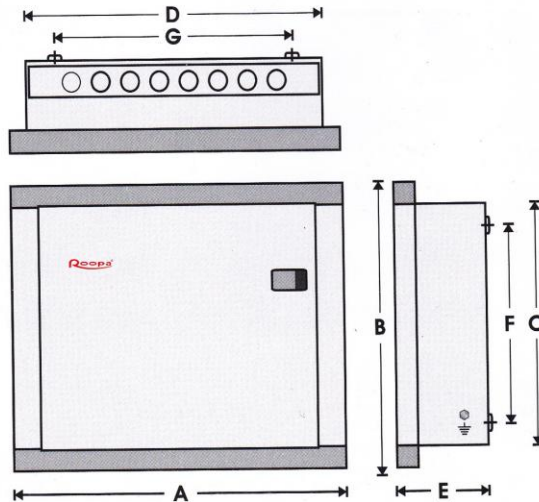
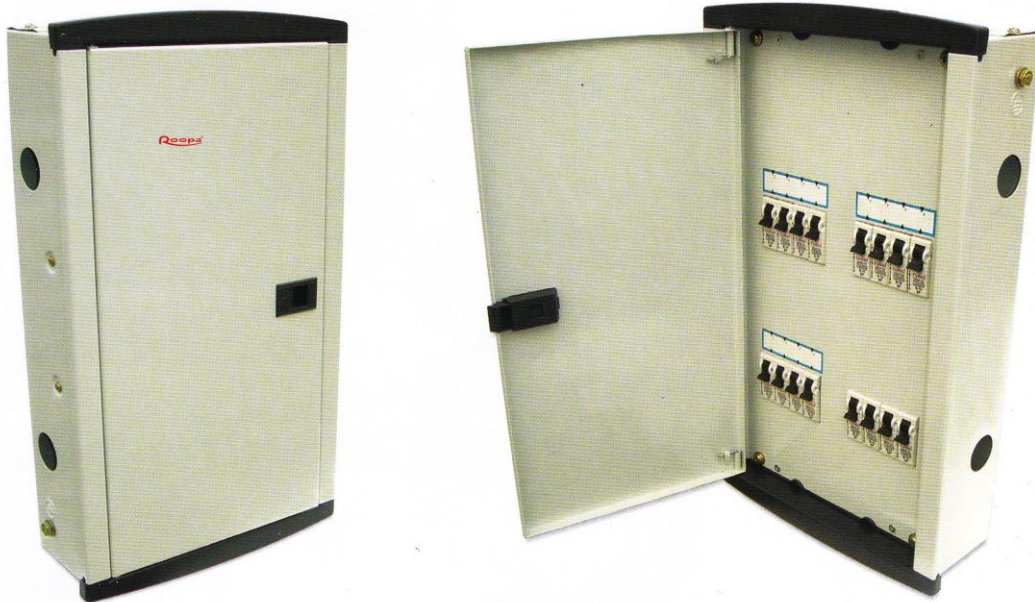
A	B	C	D	E	F	G
333	550	530	325	152	450	250
405	554	530	393	152	450	319
405	554	530	393	152	450	319

S. No.	ITEMS	Code No.	PRICE Per Pc.	Std. Pack of Pcs.	S. No.	ITEMS	Cat. Ref. No.	PRICE Per Pc.
1	4 WAY T.P.N.	1054	3070/-	1	19	4 WAY T.P.N. DULY WIRED	1062	5575/-
2	6 WAY T.P.N.	1055	3150/-	1	20	6 WAY T.P.N. DULY WIRED	1063	5680/-

**NOTE: ALL PRICES ARE WITHOUT M.C.B., PHASE SELECTORS AND INDICATOR LAMPS.**

# M.C.B. D.B. DOUBLE DOOR T.P.N.

## PREMIUM



S. No.	ITEMS	Code No.	PRICE Per Pc.	Std. Pack of Pcs.	MAXIMUM SIZES IN M.M.						
					A	B	C	D	E	F	G
1	4 WAY T.P.N.	1050	1850/-	4	260	487	457	250	106	382	179
2	6 WAY T.P.N.	1051	2120/-	3	335	487	457	325	106	382	255
3	8 WAY T.P.N.	1052	2420/-	2	413	487	457	396	106	382	321

**NOTE: ALL PRICES ARE WITHOUT M.C.B., PHASE SELECTORS AND INDICATOR LAMPS.**